

ELECTRICAL INSTALLATION, GENERAL OUTLINES

PRESENTATION :

The electrical operations comprise the following :

- A wiring diagram
- A circuit diagram
- A list of components and wiring harnesses
- A bulb and fuse table
- Details on complex equipment
- Any options.

READING THE DIAGRAMS :

The wiring diagram indicates the layout of the leads and the connecting blocks as well as the approximate location of the components on the vehicle.

The circuit diagram presents the various circuits in a functional way, which can be very helpful when trying to find out the cause of a malfunction in the electrical system. When a unit is connected to several circuits, its various sections are shown in « exploded » form and located along different lines.

Switches are shown at rest, with vehicle stationary, with the anti-theft switch open.

Single contact switches move from right to left : switches, relay contacts (the position of the coil for a relay, generally to the left of the contact switch, is not compulsory).

Where the inverter or selector switch is complex, the contact movements are shown in the manner to be considered the most comprehensible.

The electronic parts are not shown in detail.

The equipment symbols are those shown on the « **symbol key** ».

IDENTIFICATION : Several sorts of identification are used and are identical on both diagrams :

The large Arab numeral figures identify components and they are approximately arranged in columns on the wiring diagram.

The capital letters indicate harnesses (see parts list). These letters are located in the middle of a conductor on the circuit diagram. When the harness is indissociable from a part (anti-theft device, selector switch unit), it is not referenced.

The Roman and Arab numeral figures, located on each side of a conductor, are specific to the position of the connection blocks in the connection box.

The small letters located at the connection points are actual references indicating the colour, either of the wire, the end fitting, the marking on the wire or the combination of two colour references.

Example : F.BI : blue wire - Mv : mauve mark - F.J.Ve : yellow wire with green mark - F (R and Bc) : wire with red and white stripes.

The wires which are not marked do not lead to any confusion (when used in context).

The connection blocks are identified by a figure giving the number of channels, with a colour reference (in letters) and a figure indicating the connection line in which the wire is situated. (Due to a lack of room, 0 (zero) should read 10 (ten). The connection blocks vary in their colour and their number of channels.

All the connection blocks which are identified by the same colour carry the same inhibitor. (*When a connection block has to be replaced, it is necessary to order from the Replacement Parts Department a black male connector having the same number of channels, equipped with 5 mm female clips. These black connection blocks can be connected to any female connectors of the connection box having the same number of channels.*)

Colour codes used :

Bc : White	Gr : Grey	Ic : Transparent	Mv : Mauve	Or : Orange	Ve : Green
Bl : Blue	J : Yellow	Mr : Brown	N : Black	R : Red	Vi : Violet

The parts list : shows the function of the parts. The position means that they can be situated vertically on the circuit diagram. The various earthing points are also referenced « m ».

KEY TO DIAGRAM SYMBOLS (page 3)

- | | | |
|-----------------------------|--------------------------------|------------------------------|
| 1. Sockets connection | 9. Manual switch | 17. Motor |
| 2. Wiring connector | 10. Switch (fixed positions) | 18. Dial |
| 3. Connecting block | 11. Mechanical switch | 19. Resistor |
| 4. Screened conductor (s) | 12. Pressure switch | 20. Rheostat |
| 5. Fuse | 13. Temperature switch | 21. Solenoid |
| 6. Diode (rectifier) | 14. Lighting | 22. Coil (relays, etc ...) |
| 7. Accumulator (unit) | 15. Warning lamp | 23. Electronic unit |
| 8. Condenser | 16. Sound equipment | 24. Relay unit |

- A** – LIST OF DOCUMENTS COVERING THE ELECTRICAL INSTALLATION OF A VEHICLE
- B** – DESCRIPTION OF AN ELECTRICAL DIAGRAM
- C** – COLOUR CODE
- D** – HOW TO READ AN ELECTRICAL DIAGRAM
- E** – PARTS LISTS
- F** – SYMBOLS

A – LIST OF DOCUMENTS COVERING THE ELECTRICAL INSTALLATION OF A VEHICLE

- Table of fuses,
- Table of bulbs,
- Circuit diagram (**I, II, III...**),
- Wiring diagram (coloured),
- Description and location of the units,
- Description and location of connectors between harnesses.

B – CONTENTS AND DESCRIPTION OF AN ELECTRICAL DIAGRAM

Contents :

An electrical diagram consists of :

- a circuit diagram divided into :
 - a supply diagram **I**,
 - function diagrams **II, III, IV...**, etc.
- a colour wiring diagram.

Description :

- The **circuit diagram** presents the various circuits in a functional way.

Supply diagram **I** details :

- the feed circuit of function diagrams
- the symbol table of the various function diagrams.

The arrows, pointing to the upper line of frame on a function diagram, correspond to the ones, which show the same function, on the feed diagram (order unchanged).

- Note :
- Switches are shown at rest, with the car at a standstill, the antitheft switch on and the doors closed.
 - Single switches must be moved from right to left. (In cases where the selector switch is complex, the contact movements are shown in the manner to be considered the most comprehensible).
 - The components symbols in the circuit diagram are those shown on the symbol key (*see page 4*).
 - The electronic parts are not shown in detail.
 - Certain equipment, which fulfill several functions, may be shown exploded and located along several diagrams.

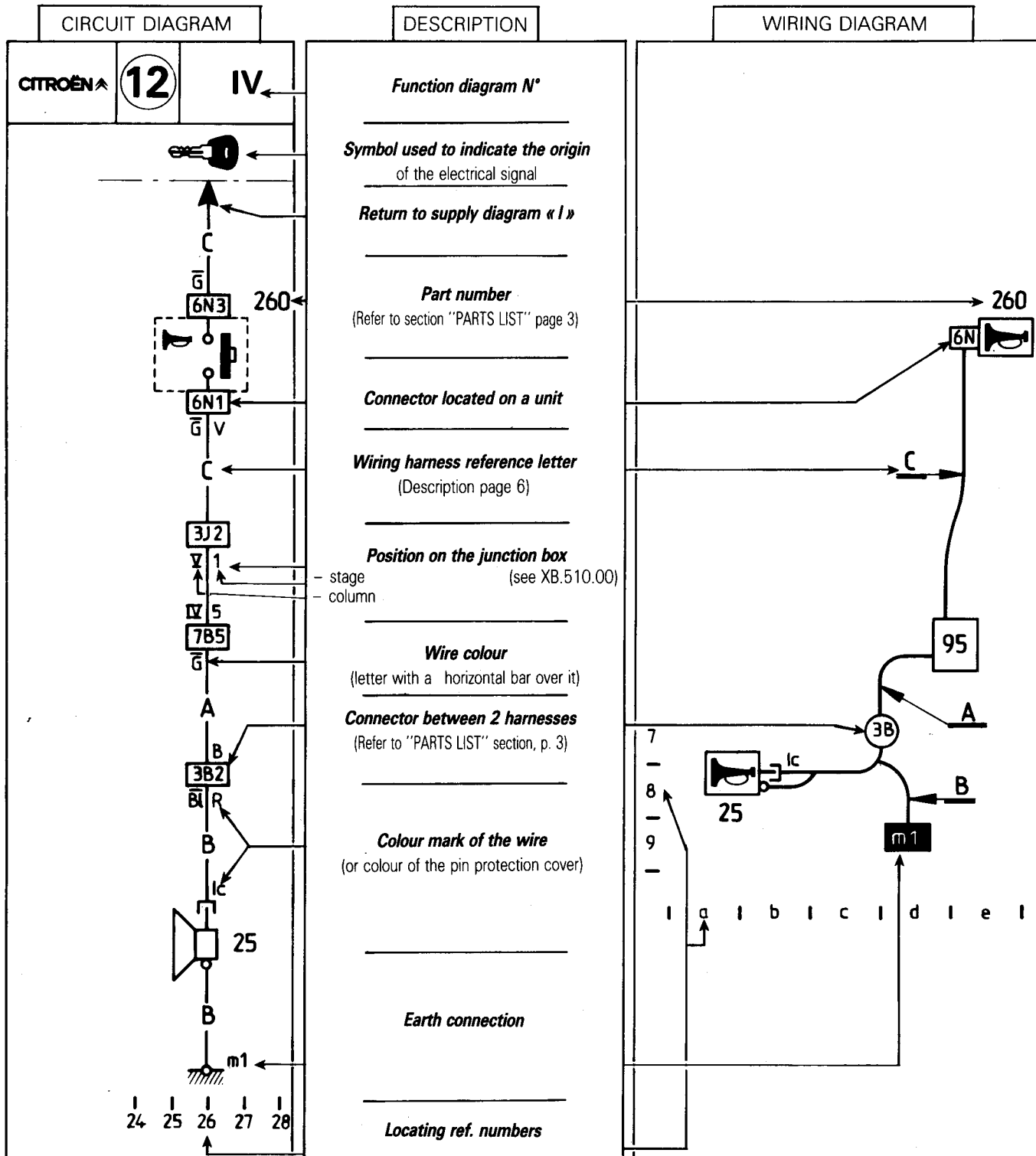
- The **wiring diagram** indicates the location of the components, connections and harnesses in the vehicle.

C – COLOUR CODES

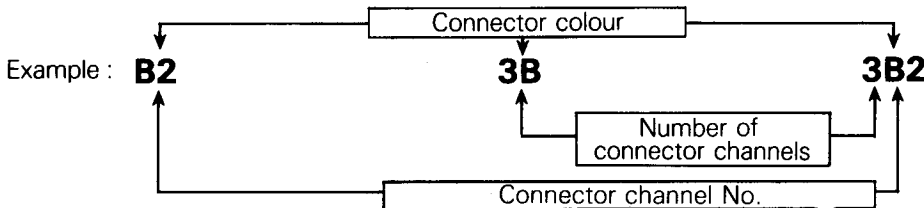
B = White	Ic = Clear	Mv = Mauve	R = Red
Bl = Blue	J = Yellow	N = Black	V = Green
G = Grey	M = Brown	Or = Orange	

D - HOW TO READ AN ELECTRICAL DIAGRAM

Circuit and wiring diagrams coding (the following example is fictitious, it should not be used for repair operations).



Connector coding : A connector can be referenced by 2 or 3 symbols :



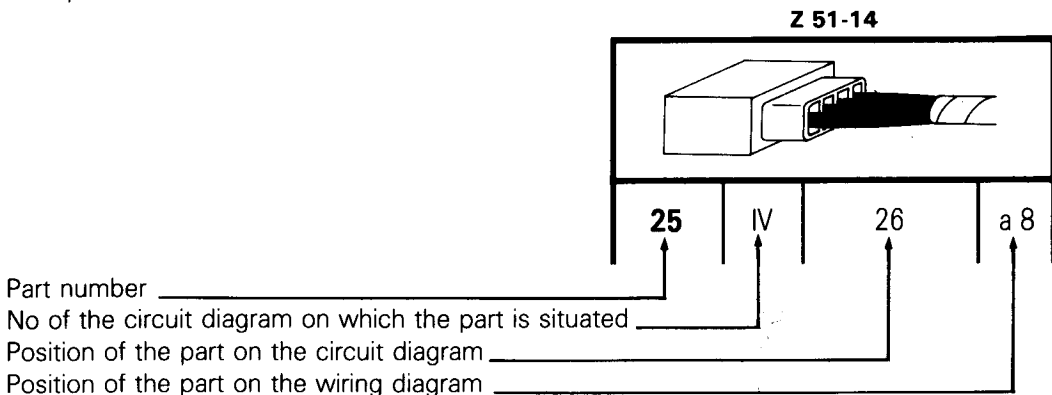
E - PARTS LISTS

For any electrical operation, refer to the unit and harness identification on pages 5 and 6.

• **Description and location of units :**

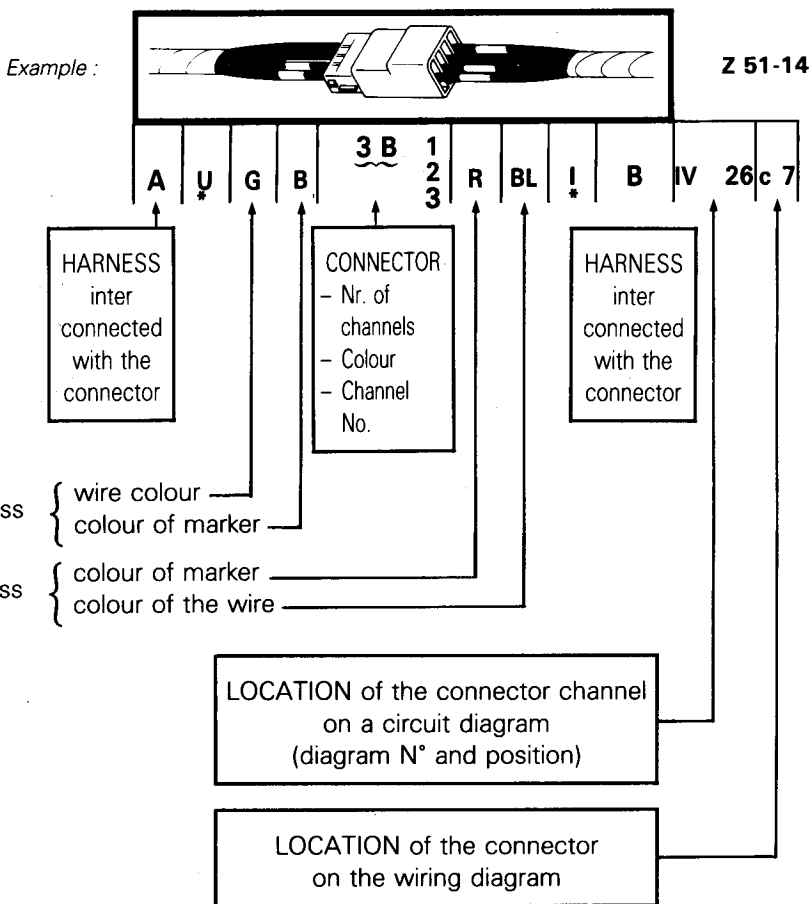
The list is supplied with the electrical diagrams ; it allows connecting the main parts lists with the electrical diagrams.

Example :



• **Description and location of harness inter connections :**

supplied with the electrical diagrams, the list enables the connectors between harnesses to be identified and situated.

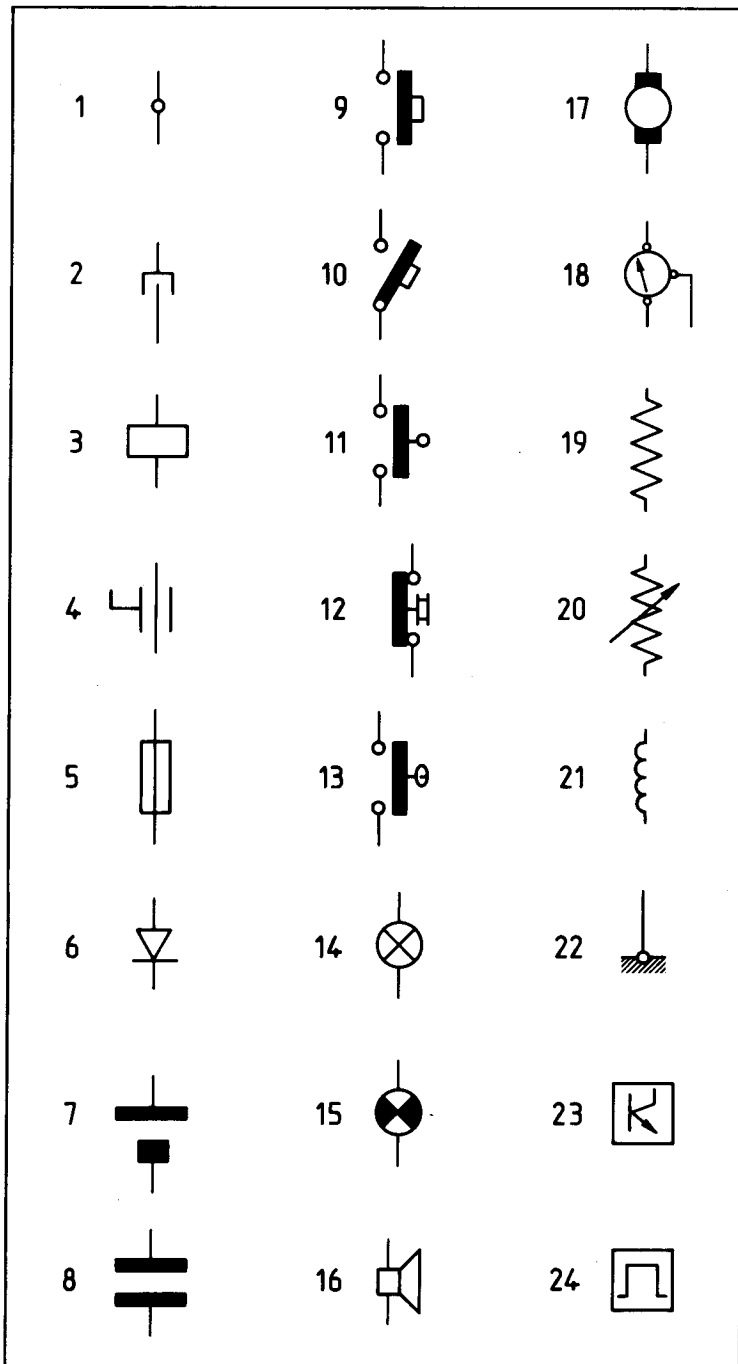


* Type of pins to be found in the connector :

- U = connector fitted with male pins
- I = connector fitted with female pins

Note : The harnesses are listed in the alphabetical order (in above example : harness « A » then « B »)

F - SYMBOLS




1. Socket connection
2. Pin connection
3. Connector connection
4. Screened wire(s)
5. Fuse
6. Diode (rectifier)
7. Accumulator unit
8. Capacitor
9. Manual switch
10. Switch (fixed positions)
11. Mechanical switch
12. Pressure switch
13. Temperature switch
14. Light
15. Warning lamp
16. Sound equipment
17. Motor
18. Dial
19. Resistance
20. Rheostat
21. Coil winding (relays, etc.)
22. Earthing point
23. Electronic control unit
24. Delay unit

TT51-8a

PARTS LIST

PARTS LIST

No.	DESCRIPTION	No.	DESCRIPTION
1	Front cigar lighter and lighting	329	Air inlet electro-valve
5	Ignition distributor	331	Main electro-valve (actuator)
10	Alternator	332	Idling actuator
25	Horn	333	Float chamber venting solenoid
44	Digital display unit	334	Canister electro-valve
45	Battery	336	Ignition distributor vacuum pressure electro-valve
46	Instrument panel	337	Throttle fast idle unit electro-valve
47	ABS hydraulic control block	345	Fast idle electro-valve
50	Ignition coil	355	Heater control lighting
54	ABS control unit	365	Ashtay lighting
55	Anti-pollution control unit	370	Boot lighting
57	Fuel calculator unit	375	Glove box lighting
60	Air conditioning control unit	385	LH rear number plate lighting
74	Advance modulating control unit	386	RH rear number plate lighting
75	Ignition module	410	Air con. compressor clutch
76	LH front window winder unit	430	LH front brake caliper
84	Water level indicator unit	431	RH front brake caliper
85	Oil level control unit	440	LH front side lamp
90	Door locking control unit	441	RH front side lamp
91	Remote control door locking unit	442	LH tail lamp
92	Interior lighting timer	443	RH tail lamp
95	Electrical junction box	447	LH front fog lamp
114	Sparking plugs	449	RH front fog lamp
130	TDC sensor	457	LH stop lamp
131	Ignition sensor	458	RH stop lamp
140	Distance sensor	460	LH rear fog lamp
142	Electronic control unit for injection	461	RH rear fog lamp
145	Direction indicator unit (C)	462	LH reversing lamp
146	LH front wheel sensor	463	RH reversing lamp
147	RH front wheel sensor	470	Fuses
148	LH rear wheel sensor	480	LH front direction indicator
149	RH rear wheel sensor	481	RH front direction indicator
151	Water temperature flasher unit	482	LH rear direction indicator
168	Battery connector	483	RH rear direction indicator
170	Boot lighting switch	488	LH main and dipped beams
180	Reversing lamp switch	489	RH main and dipped beams
185	Stop lamp switch	500	LH front loudspeaker
190	Hand brake switch	501	RH front loudspeaker
192	Throttle spindie switch	502	LH rear loudspeaker
229	Ignition switch	503	RH rear loudspeaker
230	LH front door switch	504	Boomer loudspeaker
231	RH front door switch	506	LH front tweeter loudspeaker
232	LH rear door switch	507	RH front tweeter loudspeaker
233	RH rear door switch	510	Front fog lamps switch
234	Glove box switch	511	Rear fog lamps switch
235	Hydraulic fluid low pressure switch	519	Driver's door window winder switch
236	Hydraulic fluid level switch	520	Driver's door window winder switch
237	Water level switch	521	RH front window winder switch
238	RH front door lock switch	522	LH rear window winder switch
239	LH front door lock switch	523	RH rear window winder switch
241	RH rear door lock switch	530	Sun-roof switch
242	LH rear door lock switch	532	Heated rear window switch
243	Tail gate lock switch	535	Driver's heated seat switch
244	Bonnet lock switch	536	Passenger's heated seat switch
253	Screen wiper/washer and computer switch	551	Rear screen intermittent wiping switch
256	Windscreen, rear screen/wiper/horn/hazard warning and heated rear window switch	570	Hazard warning switch
257	Lighting/direction indicator/front fog lamp switch	576	Injectors
260	Lighting/direction indicator/horn switch	580	Fuel gauge
263	Screen wipe/wash switch	600	Windscreen wiper motor
268	Air recycling switch	601	Rear screen wiper motor
270	Max air conditioning switch	610	Sun-roof motor
276	Rear view mirror switch	615	LH front window winder motor
277	Air conditioning control	616	RH front window winder motor
278	Blower motor speed control	617	LH rear window winder motor
280	Additional air control	618	RH rear window winder motor
285	HT coil suppressor	620	LH air intake flap motor
300	Starter motor	621	RH air intake flap motor
302	Flowmeter	625	LH front door lock motor
312	Anti-locking brake system diode	626	RH front door lock motor
		627	LH rear door lock motor

6	XB 510-000a	ELECTRICAL INSTALLATION GENERAL INFORMATION		12	CITROËN 
		UNIT IDENTIFICATION	HARNESS IDENTIFICATION		
No.	DESCRIPTION	Ref. letter	DESCRIPTION		
628	RH rear door lock motor	A	Front		
629	Boot door lock motor	BC	Air conditioning control unit		
633	Carburettor electric cooling fan	C	Switches		
634	Engine RH cooling fan	CC	Air conditioning control		
635	Engine LH cooling fan	CK	On carburettor		
640	Clock	CM	Carburettor, engine side		
650	Engine oil pressure switch	CN	Negative cable		
668	Blower fan control module	CP	Positive cable		
660	On-board computer	D	Exhaust emission control system		
680	Windscreen washer pump	E	Screen wiper		
681	Rear screen washer pump	F	Rear light cluster inter connection		
682	Headlamp washer pump	FP	Petrol pump		
683	Petrol pump	G	LH side tailgate		
685	Vacuum pump	H	Passenger compartment		
688	Potentiometer on throttle butterfly spindle	IC	Injection, body side		
691	Interior driver's lighting	IM	Injection, engine side		
692	Interior passenger front lighting	J	Fuel gauge		
695	Interior spot lighting	K	Carburettor, body side		
698	Headphone sockets (2)	L	Boot lighting		
700	Air con. pressure switch	M	Engine		
710	Supply socket	MB	Junction box earth		
719	« Lambda » sensor checking socket	MF	LH rear lamp earth		
720	Diagnostic socket	MP	Petrol pump earth		
721	Radio connection	O	On-board computer		
729	Anti-pollution relay	P	Interior lamp		
731	Fuel injection relay	PC	Driver's door		
733	Cooling fan relay (air conditioning)	PP	Passenger's door		
734	Injector relay	R	Rear		
737	Dipped beams relay	RE	Rear screen wiper		
742	Air conditioning relay	RV	Rear door locking		
745	Blower motor high speed relay	S	Radio		
749	Petrol pump relay	SR	Radio (rear section)		
750	Fog lamps relay	SV	Radio (front section)		
753	Pump control relay	T	Dashboard		
755	Headlamp washer relay	U	Brake pad wear		
756	Anti-locking brake system electrovalve relay	V	RH side tailgate		
760	Heated rear screen relay	VC	Carburettor ventilation		
761	Front window winder motor relay	W	RH side tailgate connection		
762	Rear window winder motor relay	Y	ABS		
763	Sun-roof relay	Z	Ignition		
765	Windscreen wiper relay				
766	Rear screen wiper relay				
767	Cooling fan timer relay				
768	Cooling fan control relay				
769	Cooling fan power relay				
772	Cooling fan 2 nd speed relay				
773	Cooling fan speed inverter relay				
774	Engine cooling fan relay				
780	Diurnal lamp relays				
787	Air con. cooling fan resistance				
788	Cooling fan 2 nd speed resistance				
795	Lighting rheostat				
810	LH side repeater				
811	RH side repeater				
815	RH front exterior mirror				
822	LH heated seat				
823	RH heated seat				
833	« Lambda » sensor				
835	Engine oil level sensor				
837	Air con. evaporator temperature sensor				
840	Water temperature sensor				
841	Water temperature sensor (injection)				
842	Oil pressure sensor				
843	Oil temperature sensor				
850	Cooling fan thermal switch				
853	Air temperature switch				
854	Water thermal switch (Flasher-warning)				
855	Water temperature switch (Fixed-danger)				
856	Oil thermal switch				
934	Air conditioning LH fan				
935	Air conditioning RH fan				
940	Door closed silhouette				
945	Heated rear screen				

ATTENTION : The junction box of the « **BX SPORT** » model has **12 fuse locations** (see diagram p. 3).

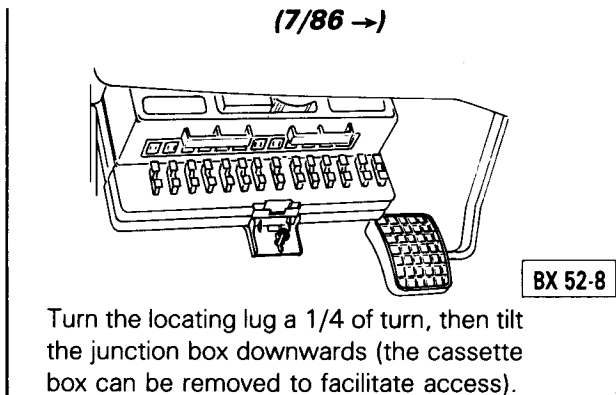
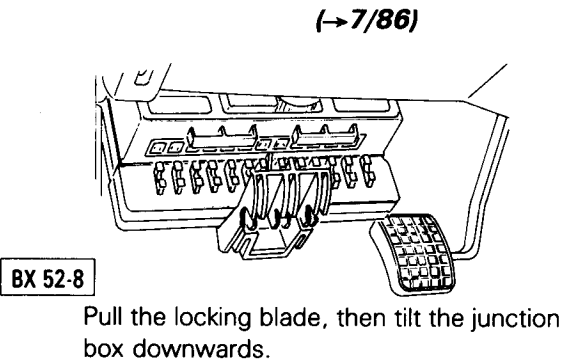
FUNCTION

Most electrical functions will be found in the junction box

LOCATION

Under the dashboard, to the left of the driver (to the right on RHD vehicles).

REMOVAL



CONTENTS

- (→ 7/85)
- 12 fuse locations (F1 to F12)
 - 25 connector locations
 - 6 relays :

- (7/85 →)
- 14 fuse locations (F1 to F14)
 - 26 connector locations
- R1 : relay for engine cooling fan
 - R2 : rear window winder motor relay
 - R3 : front window winder motor relay
 - R4 : heated rear screen relay
 - I : windscreen wiper relay
 - C : direction indicator unit

UTILISATION

(→ 7/85)

Junction box diagram p. 3

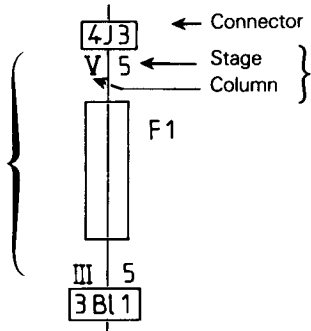
- On the diagrams p. 3 and 4, the connectors are grouped by :
 - column (I to IV) : from left to right
 - stage (1 to 6) : from top to bottom
- The functions of the connector channels are detailed on pages 2, 5 and 6.

Example of a junction box marking on the circuit diagrams :

(7/85 →)

Junction box diagram p. 4

JUNCTION BOX CIRCUIT

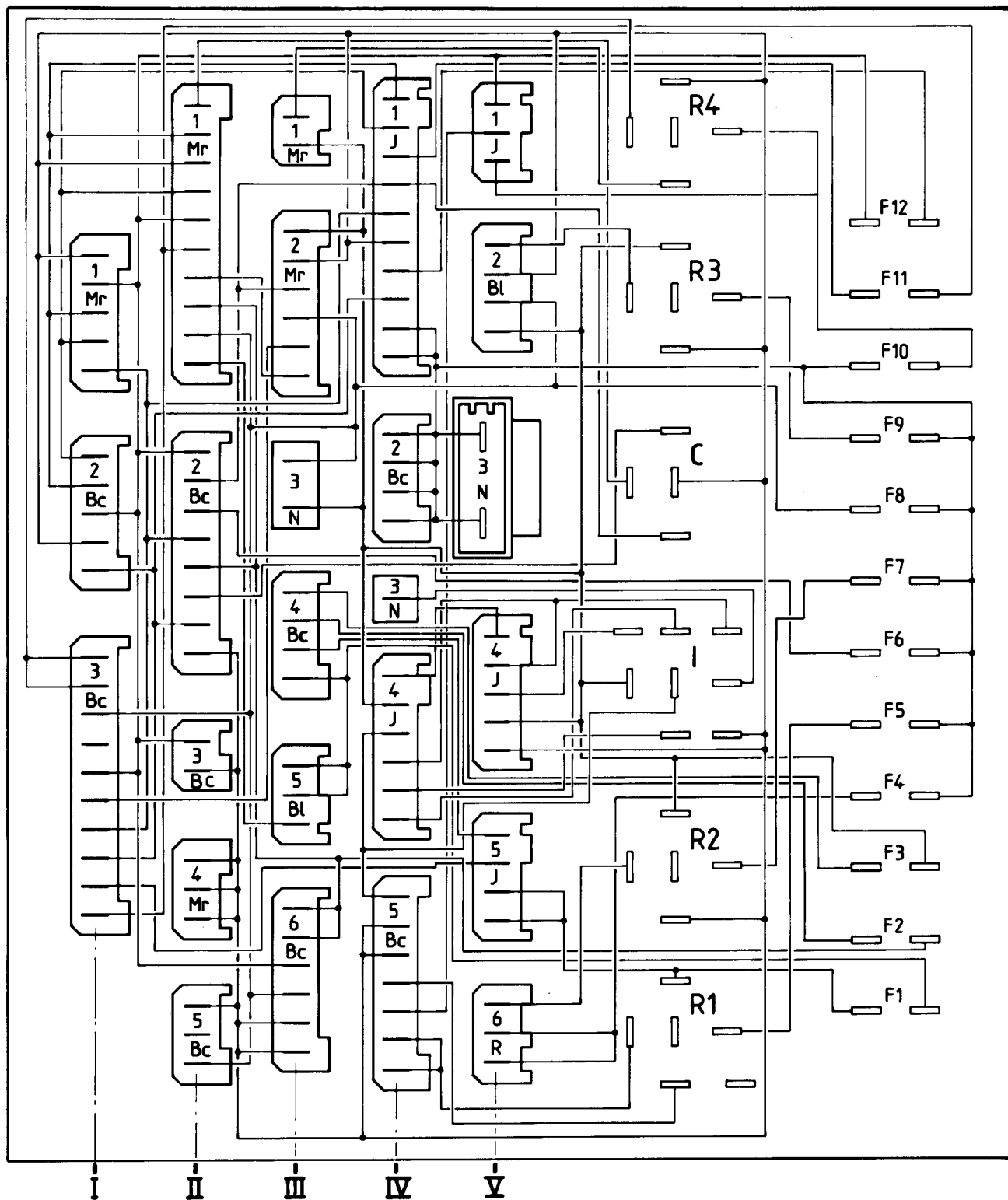


POSITION OF THE CONNECTOR ON THE ELECTRICAL JUNCTION BOX

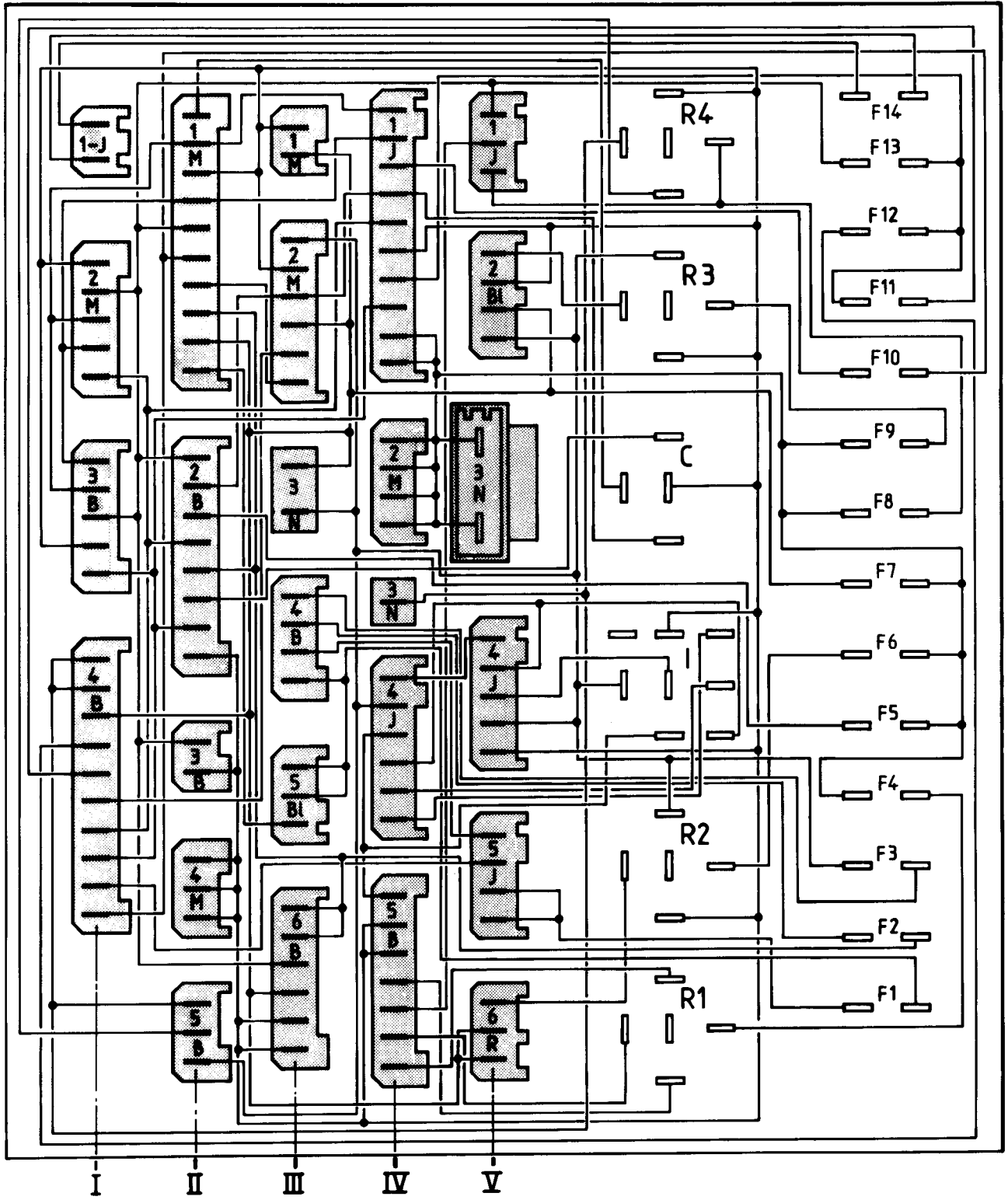
BX 52-8

Harness (or part)	Column	Stage	No. of channels	Colour	Channel	FUNCTION	Harness (or part)	Column	Stage	No. of channels	Colour	Channel	FUNCTION	
A	I	1	5	Mr	1	Earth	H	III	6	6	Bc	1	+ accessory switch after F 2	
					2	Side and tail lamps, after F 12						2	+ accessory switch after F 2	
					3	Main Beam						3	Side and tail lamps, after F 12	
					4	Dipped Beam						4	+ after F 8	
					5	L/H Direction indicator						5	Earth	
	I	2	5	Bc	1	Dipped Beam						6	Earth	
					2	Main Beam	LH switch	IV	1	0	J	1	Main beam	
					3	Side and tail lamps after F 12						2	Dipped beam	
					4	Earth						3	Rear fog lamp	
					5	R/H Direction indicator						4	From dir. indicator unit	
					0	R/H Direction indicator						5	L/H Direction indicator	
R	I	3	0	Bc	1	Heated Rear Screen	6	Earth						
					2	Heated Rear Screen + after F 8	7	Side and tail lamps						
					3	Heated Rear Screen + after F 8	8	R/H Direction indicator						
					4		9	+						
					5	Side and tail lamps after F 11	0	+						
					6	Stop lamps								
					7	L/H Direction indicator								
					8	R/H Direction indicator								
					9	Reversing lamps.								
					0	Rear fog lamps after F 11								
E	II	1	0	Mr	1	Direction indicator warning lamp	RH switch	IV	4	6	J	1	Windscreen wiper 2 nd speed	
					2	Main Beam						2	+ accessory switch, after F 3	
					3	Earth						3	Windscreen washer pump	
					4	Dipped beams						4	Windscreen wiper 1 st speed	
					5	Side lamps after F 12						5	Windscreen wiper parking	
					6	Rear fog lamp after F 11 (warning lamp)						6	Windscreen wiper timer	
					7	Hand Brake								
					8	+ accessory switch after F 2								
					9	+ after F 8								
					0	- coil								
RH Switch	II	2	8	Bc	1	Side and tail lamps, after F 12	A	IV	5	7	Bc	1	Windscreen washer pump	
					2	Dir. indic. unit supply (hazard)						2	Earth	
					3	+ after F 6						3	Earth	
					4	L/H Direction indicator						4	Cooling fan relay coil supply	
					5	+ accessory switch after F 2						5	Horn	
					6	From direction indicator unit						6	Engine cooling fan	
					7	R/H Direction indicator						7	Engine cooling fan	
					8	Earth								
H	II	3	2	Bc	1	Side and tail lamps, after F 12	RH switch	V	1	3	J	1	Side and tail lamps, after F 12	
					2	Earth						2	Horn	
Junction box earth	II	4	3	Mr	1	Earth	H	V	2	4	Bl	1	+ ign. switch, after F 9	
					2	Earth						2	Earth	
					3	Earth						3	+ after F 8	
H	II	5	3	Bc	1	Earth	A	V	3	2	N	1	+	
					2							2	+	
					3	+ after F 8								
RH switch	III	1	2	Mr	1	Heated rear screen relay coil	E	V	4	5	J	1	Windscreen wiper fast speed	
					2	+ accessory switch after F 3						2	Windscreen wiper slow speed	
H	III	2	6	Mr	1	+ accessory switch after F 3	A	V	5	4	J	1	+ starter switch	
					2	Earth						2	Reversing lamps	
					3	From dir. indicator unit						3	+ Ignition switch, after F 1	
					4	+ after F 8						4	+ Ignition switch, after F 1	
					5	Stop lamp								
					6	Hand brake								
S	III	3	2	N	1	+ after F 8	H	V	6	3	R	1	+ contact after rear window winder relay	
					2	+ accessory switch after F 3						2	+ after F 4	
Anti theft	III	4	4	Bc	1	+ accessory switch	Anti theft						3	+ after F 4
					2	+ accessory switch							4	+ after F 4
					3	+ starter switch								
					4	+ ignition switch								
A	III	5	3	Bl	1	+ Ignition switch	A						2	+ Ignition switch
					2	+ Ignition switch							3	- Ignition coil
					3	- Ignition coil								

(→ 7/85)
(& BX SPORT)



(7/85 →)



Harness or part	Column	Stage	No. of channels	Colour	Channel No.	FUNCTION	
	I	1	2	J	1 2	+ + after F 14	
A	I	2	5	Mr	1 2 3 4 5	Earth Side and tail lamps, after F 13 Main beam Dipped beams LH direction indicator	
	I	3	5	Bc	1 2 3 4 5	Dipped beams Main beam Side and tail lamps, after F 13 Earth RH direction indicator	
R	I	4	0	Bc	1 2 3 4 5 6 7 8 9 0	Heated rear screen Heated rear screen + after F 7 Side and tail lamps, after F 12 Side and tail lamps, after F 11 Stop lamps L/H direction indicator R/H direction indicator Reversing lamp Rear fog lamps, after F 10	
	II	1	0	Mr	1 2 3 4 5 6 7 8 9 0	Main beam Earth Dipped beams Side and tail lamps, after F 13 Rear fog lamp warning lamp, after F 10 Handbrake + accessory switch, after F 2 + after F 7 - negative coil	
		II	2	8	Bc	1 2 3 4 5 6 7 8	+ Side and tail lamps, after F 13 Direction indicator unit supply + after F 5 L/H direction indicator + accessory switch, after F 2 + direction indicator unit supply R/H direction indicator Earth
		II	3	2	Bc	1 2	Side and tail lamps, after F 13 Earth
	Junction box earth	II	4	3	Mr	1 2 3	Earth Earth Earth
	R.H. switch	II	5	3	Bc	1 2 3	Heated rear screen warning lamp Heated rear screen relay coil + accessory switch, after F 3
	H	III	1	2	Mr	1 2	Earth + after F 7
		III	2	6	Mr	1 2 3 4 5 6	+ accessory switch, after F 3 Earth From direction indicator flasher unit + after F 7 Stoplamps Handbrake
	S	III	3	1	N		+ after F 7
				1	Nv		+ accessory switch, after F 3
Antitheft	III	4	4	Bc	1 2 3 4	+ accessory switch + accessory switch + starter switch + ignition switch	

Harness or part	Column	Stage	No. of channels	Colour	Channel No.	FUNCTION
A	III	5	3	Bl	1 2 3	+ ignition switch + ignition switch - ignition coil
	III	6	6	Bc	1 2 3 4 5 6	+ accessory switch, after F 2 + accessory switch, after F 2 Side and tail lamps, after F 13 + after F 7 Earth Earth
	IV	1	0	J	1 2 3 4 5 6	Main beam Dipped beams Rear foglamps From direction indicator flasher unit L/H direction indicator Earth Side and tail lamps R/H direction indicator + +
L.H. switch	IV	2	4	Mr	1 2 3 4	+ + + +
	IV	3	1	N		Heated rear window
	IV	4	6	J	1 2 3 4 5 6	Second speed windscreen wiper motor + accessory switch, after F 3 Windscreen washer pump First speed windscreen wiper motor Windscreen wiper parking Windscreen intermittent wipe
	IV	5	7	Bc	1 2 3 4 5 6 7	Windscreen washer pump Earth Earth Earth Horn Cooling fan + ignition switch, after F 1
RH switch	V	1	3	J	1 2 3	Side and tail lamps, after F 13 Horn + ignition switch, after F 8
H	V	2	4	Bl	1 2 3 4	+ ign. switch, after front window winder motor relay Earth + after F 7 + accessory switch, after F 3
	V	3	2	N	1 2	+ +
	V	4	5	J	1 2 3 4 5	Second speed windscreen wiper motor First speed windscreen wiper motor Windscreen wiper parking + accessory switch, after F 3 Earth
	V	5	4	J	1 2 3 4	+ starter switch Reversing light + ignition switch, after F 1 + ignition switch, after F 1
H	V	6	3	R	1 2 3	+ ign. switch after rear window winder motor relay + after F 7 + after F 7

Harness or part	Column	Stage	No. of channels	Colour	Channel No.	FUNCTION	Harness or part	Stage	Column	No. of channels	Colour	Channel No.	FUNCTION
Y	I	1	2	J	1 2	+ + after F 14	A	III	5	3	Bl	1 2 3	+ ignition switch + ignition switch - ignition coil
A	I	2	5	M	1 2 3 4 5	Earth Side and tail lamps, after F 13 Main beams Dipped beams LH direction indicator	E	III	6	6	B	1 2 3 4 5 6	+ accessory switch, after F 2 + accessory switch, after F 2 Side and tail lamps, after F 13 + after F 7 Earth Earth
A	I	3	5	B	1 2 3 4 5	Dipped beams Main beams Side and tail lamps, after F 13 Earth RH direction indicators	C	IV	1	0	J	1 2 3 4 5 6 7 8 9 0	Main beams Dipped beams Rear foglamps From direction indicators unit LH direction indicator Earth Side and tail lamps RH direction indicator + +
R	I	4	0	B	1 2 3 4 5 6 7 8 9 0	Heated rear screen Heated rear screen + after F 7 Side and tail lamps, after F 12 Side and tail lamps, after F 11 Stoplamps LH direction indicators RH direction indicators Reversing lamps Rear foglamps, after F 10	2 2 9	IV	2	4	M	1 2 3 4	+ + + +
T	II	1	0	M	1 2 3 4 5 6 7 8 9 0	Main beams Earth Dipped beams Side & tail lamps, after F 13 Rear foglamp after F 10 (warning) Handbrake + accessory switch, after F 2 + after F 7 - ignition coil		IV	3	1	N		Heated rear window
T	II	2	8	B	1 2 3 4 5 6 7 8	Side & tail lamps, after F 13 From direction indicator unit + after F 5 LH direction indicator + accessory switch, after F 2 Direction indicator unit supply RH direction indicators Earth	C	IV	4	6	J	1 2 3 4 5 6	Windscreen wiper fast speed + accessory switch, after F 3 Windscreen washer pump Windscreen wiper slow speed Windscreen wiper parking Windscreen intermittent wiper
T	II	3	2	B	1 2	Side & tail lamps, after F 13 Earth	A	IV	5	7	B	1 2 3 4 5 6 7	Windscreen washer pump Earth Earth Earth Horn Engine cooling fan + ignition switch, after F 1
MB	II	4	3	M	1 2 3	Earth Earth Earth	C	V	1	3	J	1 2 3	Side and tail lamps, after F 13 Horn + after F 8
T	II	5	3	B	1 2 3	Heated rear screen warning lamp Heated rear screen-relay, coil + accessory switch, after F 3	H	V	2	4	Bl	1 2 3 4	+ ign. switch after front window winder relay Earth + after F 7 + accessory switch, after F 3
E	III	1	2	M	1 2	Earth + after F 7	A	V	3	2	N	1 2	+ +
	III	2	6	M	1 2 3 4 5 6	+ accessory switch, after F 3 Earth From direction indicator unit + after F 7 Stoplamps Handbrake	E	V	4	5	J	1 2 3 4 5	Windscreen wiper fast speed Windscreen wiper slow speed Windscreen wiper parking + accessory switch, after F 3 Earth
T	III	3	1	N		+ after F 7	A	V	5	4	J	1 2 3 4	+ starter motor switch Reversing lights + ignition switch, after F 1 + ignition switch, after F 1
			1	Mv		+ accessory switch, after F 3	H	V	6	3	R	1 2 3	+ ign. switch after rear window winder relay + after F 7 + after F 7
2 2 9	III	4	4	B	1 2 3 4	+ accessory switch + accessory switch + starter motor switch + ignition switch							